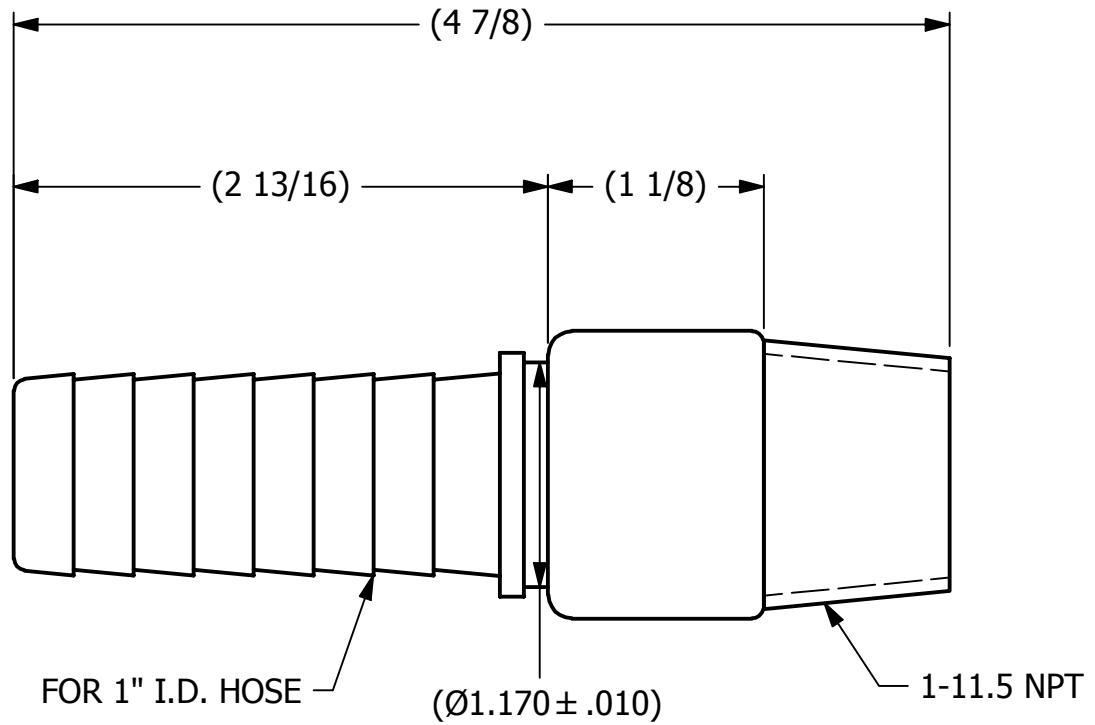
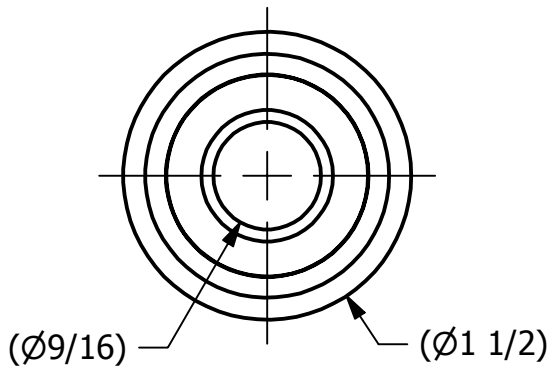


SALES DRAWING

SALES DRAWING



REV	BY	DATE	DESCRIPTION
C	JG	3-12-15	UPDATED TITLE BLOCK, NOTES, DIMS
B	VD	08-31-10	ADDED BOM AND GROOVE.
A	ACC	10-28-04	UPDATED DESCRIPTION

<small>UNLESS OTHERWISE SPECIFIED DIMENSIONAL TOLERANCES FRACTIONAL: ±1/16 X.XX: ±.03 X.XXX: ±.015 ANGULAR: ±1° DEBURR ALL SHARP EDGES. ALL MACHINED SURFACES TO HAVE A 125 RMS FINISH UNLESS NOTED OTHERWISE. THIRD ANGLE PROJECTION</small>	DRAWN BY:	ACC
	CHECKED BY:	RB
	PROTOTYPE BY:	ACC
	PROTOTYPE DATE:	12/16/2003
	APPROVED FOR PRODUCTION BY:	
	PRODUCTION DATE:	

SALCO PRODUCTS, INC.		
PART NAME: HOSE BARB 1"		
MATERIAL: GRAY PVC		
PROJECT #: 090316	SHEET #: 1 OF 1	SCALE: 1:1
DRAWING #: A18635	PART #: HS1PVCKC	

THIS PRINT, PROPERTY OF SALCO PRODUCTS INC, CONTAINS PROPRIETARY INFORMATION AND MUST NOT BE COPIED, REPRODUCED, OR USED DETRIMENTALLY TO OUR INTEREST.

